

Planetary Mixers

Planetary Mixer, 10 lt. - Table Model

ITEM # _____

MODEL # _____

NAME # _____

SIS # _____

AIA # _____



600230 (XBM10B)

* NOT TRANSLATED *

Main Features

- Professional beater mixer that provides all the basic mixer functions: kneading of all sort of pastes, mixing of semi-liquid products, emulsions and various sauces.
- Delivered with:
 - Spiral Hook, Paddle, Wire Whisk and Mixing Bowl for 10 lt
- Mechanical speed variator.
- Removable safety screen activates the raising and lowering of the bowl.
- Maximum capacity (flour, with 60% of hydration) 3.5 kg, suitable for 10-50 meals per service.
- Safety device will automatically stop the machine when the bowl is lowered.
- Bowl detection device allows the mixer to switch on only when the bowl and the solid safety screen are properly installed and positioned together.

Construction

- Sturdy construction with mechanically welded strong metal frame.
- Compact design for table top installations.
- Body entirely in stainless steel.
- Asynchronous motor with high start-up torque.
- Power: 500 Watts.
- Planetary movement based on self lubricating gears, eliminating any risk of leaks.
- 8 speeds, from 30 to 170 rpm, to be lever operated while the machine is working, according to the tool and the mixture hardness.
- Water protected planetary system (IP55 electrical controls, IP34 appliance overall).
- AISI 302 stainless steel bowl - 10 lt. capacity.
- Waterproof touch button control panel with timer setting, display and pulse function.
- Adjustable feet for perfect stability.

Included Accessories

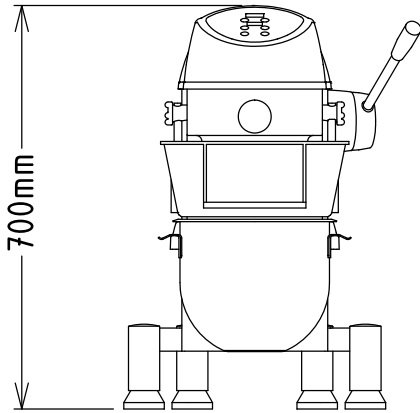
- 1 of Additional Paddle 10 lt PNC 653267
- 1 of Additional Spiral Hook 10 lt PNC 653268
- 1 of Additional Whisk 10 lt PNC 653269
- 1 of Additional Bowl 10 lt PNC 653276

Optional Accessories

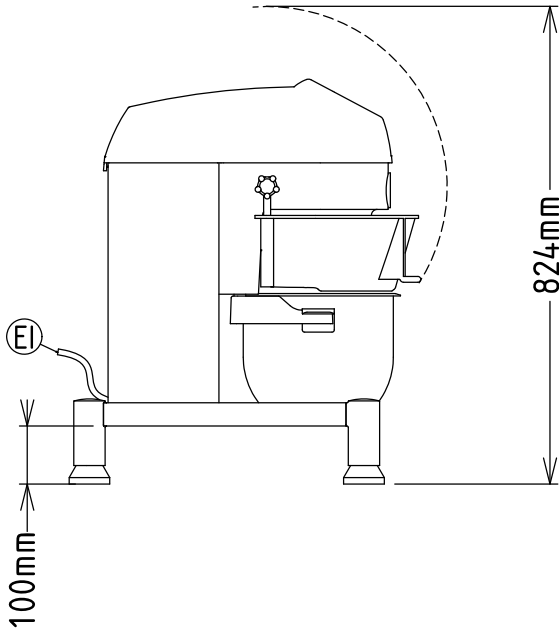
- Additional Paddle 10 lt PNC 653267
- Additional Spiral Hook 10 lt PNC 653268
- Additional Whisk 10 lt PNC 653269
- Additional Bowl 10 lt PNC 653276

APPROVAL: _____

Front

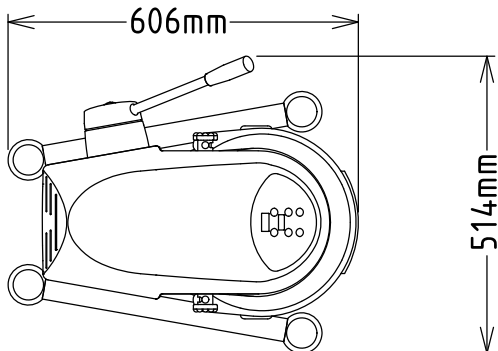


Side



EI = Electrical inlet (power)

Top


Electric

Supply voltage:	380-415 V/3 ph/50 Hz
Electrical power max.:	0.5 kW
Total Watts:	0.5 kW

Capacity:

Performance (up to):	3.5 kg/Cycle
Capacity:	10 litres

Key Information:

External dimensions, Width:	454 mm
External dimensions, Depth:	606 mm
External dimensions, Height:	700 mm
Shipping weight:	58.2 kg
Cold water paste:	3.5 kg with Spiral hook
Egg whites:	18 with Whisk